



U n l e a s h T h e G l o w

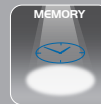
MUF028011504



U n l e a s h T h e G l o w

L.I.B.R.E

Light with I n t e g r a t e d B r i g h t n e s s R e g u l a t e d E m i t t e r



OWNER'S MANUAL

LT-EL700 LED Flashlight



If you need to mount the flashlight onto a firearm, make sure firearm is not loaded before installation. Remove magazine and examine chamber. Use safe handling procedures at all times.

Tactical flashlights produce substantial heat during operation. Do not leave activated flashlight unattended. Do not set activated flashlight face down. Do not place activated flashlight against combustible material or material that could be damaged by heat. Do not hold bezel or lens of activated flashlight against any portion of human body. Keep away from children.

Ensure that the flashlight cannot be turned on when stored or being transported. If the lamp is activated while in a case or any container, the lamp could overheat and cause damage to surrounding materials.

Examine battery quality and appearance before use each time and make sure that there is no leaking or any deformation. Dispose appropriately if there is a problem.

The batteries are pre-charged by the manufacturer, and cannot be recharged. Recharging can cause battery leakage or, in some cases, high-pressure rupture. Inadvertent charging can occur if a battery is installed backwards.

Do not use re-chargeable batteries in the light, unless the product specifications clearly states that re-chargeable batteries can be used.

Install batteries by aligning the + and – signs marked on the battery with the + and – signs marked on the battery chamber in the light.

Turn off the light when not in use to conserve battery power.

Make sure to turn off the light or disconnect the pressure switch before inspecting bulb and battery if the light cannot be turned on.

Keep batteries cool and dry. Always remove batteries from light after use. Leaving battery in the light without use for long period of time may cause damage or danger.

Always replace batteries with the exact type and size specified for the light.

Always replace the whole set of batteries at the same time. Never mix new and used batteries in the same light.

Never deliberately short circuit batteries. Prolonged short circuit will cause the battery to lose energy and result in significant temperature increase.

Keep battery compartment clean and keep any metallic object away from the battery.

Lithium batteries can explode or cause burns if disassembled, shorted, recharged, exposed to water, fire, or high temperatures. Do not place loose batteries in a pocket, purse, or other container containing metal objects. Do not mix new with used batteries or mix required batteries with other types of battery. Do not store batteries with hazardous or combustible materials. Store in cool, dry, ventilated area. Follow applicable laws and regulations for disposal.

Component Illustration



*IRB Integrated Reflector and Bulb

LT-EL700		
Specifications	Length	170.2mm (6.7")
	Main Body Diameter	25.4mm (1.00")
	Weight with Battery	243.8g (8.6 oz)
	Bulb Type	37mm IRB* with CREE U2 LED
	Voltage	6V
	Max. Output	700 lumens
	Focus	Hybrid Beam with Large Spill Area and Intense Long Range Hotspot
Accessories	Battery Operating Time	High - 3 Hours / Low - 24 Hours
	Battery/Qty	2 x CR123A
	Pressure Switch	Included with Hook-and-loop Sticker
	Tactical Angled Offset Ring Mount	RG-FL138 with Spacer
	Rubber Spacer Ring & Tactical Grip Assist	Included

Installation & Operation

Battery and Spacer Ring Installation



1. Unscrew the flashlight end cap by twisting counter-clockwise and install either two included CR123A Batteries or one 18650 Rechargeable Battery.



Rubber Spacer Ring



Tactical Grip Assist

2. While the end cap is removed, the pre-installed Rubber Spacer Ring for everyday carry can be replaced with the included Tactical Grip Assist for tactical shooting needs.



3. Re-install the end cap by turning it clockwise until it is completely seated.



4. Conduct a function check to ensure the end cap is properly tightened following the steps on page 6.

Push Button Operation



Press and release the button in the center of the end cap to turn the light on or off.

(Note: Additional operation modes described on page 7)



2. Screw the Pressure Switch end cap onto the flashlight body and firmly tighten.

Pressure Switch Operation



1. Unscrew and remove the end cap. Make sure to keep the cap in a safe place for replacement when Pressure Switch is not used.



3. Apply pressure to the pad surface of the Pressure Switch to ignite the flashlight.

L.I.B.R.E Dimming Technology Operation



Main Power Button

Lumen Control Pad



Press the Main Power Button to activate or deactivate the flashlight. (Lumen Control Pad only works when the light is activated.)



Once the light is activated, the Lumen Control Pad can be used to dim the light, to use Strobe (see L.I.B.R.E and Strobe on page 8) or to turn the power off/on by pressing it once briefly.

L.I.B.R.E Light with Integrated Brightness Regulated Emitter

L.I.B.R.E



While the flashlight is "on", press and hold the Lumen Control Pad to dim the light to your preferred brightness setting and release the button. From highest to lowest setting takes approx. 4-5 seconds. EL700 is designed to remain at its lowest setting (20 lumens) once this has been reached.

Memory



Once you have achieved your preferred brightness setting, the flashlight will automatically save this setting, and you can turn the unit off with a single click of the Lumen Control Pad, and again to restart the unit with your saved setting.

Strobe



A double tap on the Lumen Control Pad while the flashlight is "on" will activate a rapid strobe function. Double tapping the Lumen Control Pad again resets the light to full power (700 Lumens).



In default, EL700 runs at full power (700 Lumens). Using the Main Power Button to turn the unit off will reset the light to full power mode and your prior setting will not be saved.

Mounting the Flashlight



1. The LT-EL700 package includes a Tactical Angled Offset Ring Mount with Spacer.



2. To install the flashlight, loosen the screws with included Allen Wrench and remove the top half of the ring mount. Separate both halves of the ring mount.



3. Install the provided Spacer by sliding it over the flashlight main body to the desired location.



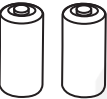

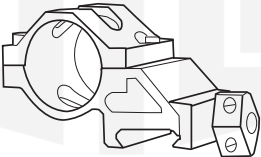
4. Set the flashlight with installed Spacer in the lower half of the ring mount and place the top half onto the ring mount with screw holes in alignment.



5. Tighten the screws evenly with included Allen Wrench (max. torque value 15in-lbs) to ensure a firm grip on the flashlight. You may use a non-permanent locking compound to prevent screw drift.



6. Attach the assembled flashlight and Tactical Angled Offset Ring Mount to any Picatinny mounting platform by tightening the quick lock/release thumb nut against the rail surface. The 45° angled offset allows the flashlight to be mounted unobtrusively, minimizing the use of rail space.

Replacement Parts	
	
2 x CR123A Battery	Pressure Switch
	
Tactical Angled Offset Ring Mount (RG-FL138)	

Contact your distributor for information.

Maintenance

1. Maintain the metal surface of the flashlight by removing any dirt or sand with a soft brush to avoid scratching the finish.
2. Store the flashlight in a cool dry place when not in use. Be careful to avoid contact with acid, alkaline or corrosive chemicals.
3. Replace the batteries in your flashlight every few months if it was not used for long period of time. This insures good working batteries for your light and prevents battery leakage.
4. Keep a fresh package of batteries next to your flashlight. This gives you back-up power for your light.
5. Do not store your flashlight in high temperatures. This would damage your flashlight and may result in battery leakage.
6. Do not put the flashlight head against any surface especially paper or human skin for it has heat and may result in accidents.
7. Do not leave your flashlight under the seat in your car, or in direct sunlight to avoid over-heating.
8. Do not attempt to lubricate any part of the flashlight.
9. Do not disassemble the flashlight other than replacing battery or pressure switch. Do not loosen or remove screws or parts. Any such or similar actions will void the warranty.

The Best Never Rest Warranty - Lifetime

Leapers, Inc. warrants that all UTG & UTG PRO products conform to published specifications and are free from defects in material and workmanship. We will repair or replace defective products for the duration of the product's life span. Our dedicated and professional in-house customer service team will go above and beyond to make things right and provide the best in-class customer service experience you expect to receive.

Our warranty does not extend to products damaged from misuse, accidental damage, negligence, natural disasters/accidents, or unauthorized repair or alteration.

For warranty service, please submit your inquiry by visiting our customer service page on our website at www.leapers.com or give us a call at 734-542-1500. A Return Authorization Number (RMA) must be assigned before returning any products for warranty service.

Disclaimer and Limitation of Liability

Leapers is pleased to offer suggestions of the use of its products, however Leapers neither assumes responsibility for any omissions or errors nor assumes liability for any damages that result from the use of its products in accordance with information provided by Leapers, whether verbal or written.

EXCEPT FOR THE EXPRESS WRITTEN WARRANTY SPECIFICALLY SET FORTH ABOVE, ALL EXPRESS AND IMPLIED REPRESENTATIONS AND WARRANTIES ARE HEREBY DISCLAIMED, INCLUDING ANY IMPLIED WARRANTY OF MERCHANTABILITY, NON-INTERFERENCE, FITNESS FOR A PARTICULAR PURPOSE, NON-INFRINGEMENT, OR WARRANTY OF ACCURACY OF ANY INFORMATION PROVIDED WHETHER WRITTEN OR ORAL. ALL WARRANTIES ARISING FROM ANY COURSE OF DEALING, LAW, USAGE OR TRADE PRACTICE ARE HEREBY EXPRESSLY EXCLUDED TO THE EXTENT ALLOWED BY LAW. TO THE EXTENT AN IMPLIED WARRANTY CANNOT BE EXCLUDED, SUCH WARRANTY IS LIMITED IN DURATION TO ONE YEAR. SOME STATES OR JURISDICTIONS DO NOT ALLOW LIMITATIONS ON HOW LONG AN IMPLIED WARRANTY LASTS, SO THE ABOVE LIMITATION MAY NOT APPLY TO YOU.

UNDER NO CIRCUMSTANCES IS LEAPERS, OR ITS SUPPLIERS OR RESELLERS LIABLE FOR ANY OF THE FOLLOWING EVEN IF INFORMED OF THEIR POSSIBILITY: 1) THIRD PARTY CLAIMS AGAINST YOU FOR DAMAGES; 2) SPECIAL, INCIDENTAL, OR INDIRECT DAMAGES OR FOR ANY ECONOMIC CONSEQUENTIAL DAMAGES; OR 3) LOST PROFITS, BUSINESS REVENUE, GOODWILL, OR ANTICIPATED SAVINGS. SOME STATES OR JURISDICTIONS DO NOT ALLOW THE EXCLUSION OR LIMITATION OF INCIDENTAL OR CONSEQUENTIAL DAMAGES, SO THE ABOVE LIMITATION OR EXCLUSION MAY NOT APPLY TO YOU.