



UTG PRO[®]
PROUDLY MADE IN USA

AR15 BILLET UPPER AND LOWER RECEIVERS

USER MANUAL

FORWARD ASSIST

For FLR001: AR15 BILLET RECEIVER SET
For FUR001: AR15 BILLET UPPER RECEIVER
For FCR02: AR15 AMBI BILLET RECEIVER SET



Place spring over forward assist. With the forward assist's claw facing inward towards the receiver, insert both as an assembly into the accompanying recess in the receiver. While holding down the assembly in place, insert the #6-32 pin so that the assembly is captured in place. Use only the short end of the 1/16" hex wrench to turn and securely tighten the #6-32 pin. Be careful not to cross-thread. If desired, apply a minimal amount of thread locker to the pin's threads using a toothpick.

BUFFER DETENT RETAINER

For FLR001: AR15 BILLET LOWER RECEIVER
For FCR01: AR15 BILLET RECEIVER SET
For FLR002: AR15 AMBI BILLET LOWER RECEIVER
For FCR02: AR15 AMBI BILLET RECEIVER SET



Place buffer detent over spring. Insert both as an assembly, spring-end first, into the accompanying recess in the receiver. While holding down the buffer detent in place, insert the steel retainer rod into the accompanying hole on the right side of the receiver and in through to the left side. Use only the short end of the 1/16" hex wrench to turn and securely tighten the #6-32 cap screw. Be careful not to cross-thread. If desired, apply a minimal amount of thread locker to the pin's threads using a toothpick.

BOLT CATCH/RELEASE

UTG PRO[®] MUB037012308

For FLR001: AR15 BILLET LOWER RECEIVER
For FCR01: AR15 BILLET RECEIVER SET



Place bolt catch detent over spring. Insert both as an assembly, spring-end first, into accompanying recess in the receiver. Insert bolt catch over assembly. While holding down the bolt catch down in place, insert the #6-32 pin so that the bolt catch is captured in place. Use only the short end of the 1/16" hex wrench to turn and securely tighten the #6-32 pin. Be careful not to cross-thread. If desired, apply a minimal amount of thread locker to the pin's threads using a toothpick.

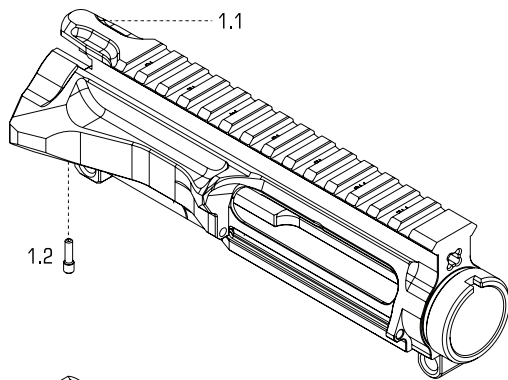
REAR TAKEDOWN DETENT & SPRING RETAINER

For FLR001: AR15 BILLET LOWER RECEIVER
For FCR01: AR15 BILLET RECEIVER SET
For FLR002: AR15 AMBI BILLET LOWER RECEIVER
For FCR02: AR15 AMBI BILLET RECEIVER SET



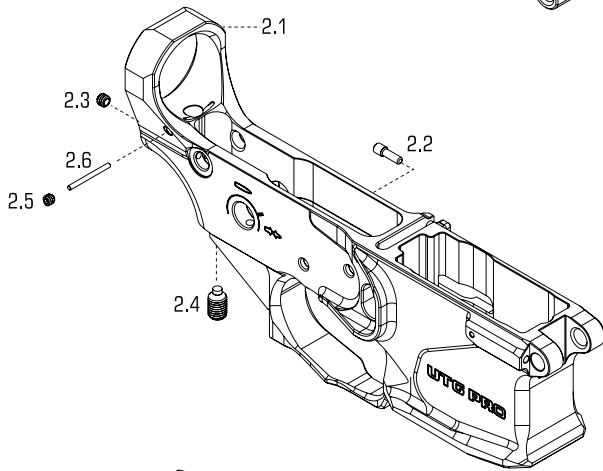
Insert takedown pin from the right side of the receiver with its channel facing towards the back of the receiver. Insert detent first and then spring into the accompanying hole in the back of the receiver. Ensure detent is captured within the channel. Use a .025" flat head screwdriver to install the #8-32 cap screw into the back of the receiver. Take caution in doing so as the accompanying components will be under spring tension. Be careful not to cross-thread. The cap screw is properly installed when it is slightly below flush with the back of the receiver. NOTE: To more easily get the cap screw's threads started into the receiver, using a flat head screwdriver that is wider than the diameter of the cap screw is recommended.

| BILLET UPPER AND LOWER RECEIVER | AMBI BILLET UPPER AND LOWER RECEIVER |
|---|---|
| <ul style="list-style-type: none"> • Proudly Designed and Made in USA • Matte Black Type III Class II Hard Coat Anodized 7075-T6 Billet Construction • Glove-friendly Oversized Trigger Guard • Fenced-in Magazine Releases and Ambidextrous Trigger Finger Indexing Points • Shortened and Flared Magwell Fully Compatible with Most Magazines and Drums • Threaded Steel Retention Pins and Set Screws, Zero Roll Pins Used in Assembly • Compatible with Most Furniture, Fire Control Groups, Bolt Carrier Groups, and Parts Kits • Captured Buffer and Rear Takedown Pin Detent and Spring • Tight Tolerance Fit of Upper and Lower Receiver, Takedown and Pivot Pins, and Barrel Extension • Upper Receiver Cut for M4 Feed Ramps • Upper Receiver Flattop Features an Additional Picatinny Slot • Optional Receiver Tensioning Screw Included • Multi-caliber Marked | <ul style="list-style-type: none"> • Proudly Designed and Made in USA • True Ambidextrous Lower with Left and Right Side Magazine Release and Bolt Hold-open and Release • Matte Black Type III Class II Hard Coat Anodized 7075-T6 Billet Construction • Glove-friendly Oversized Trigger Guard • Fenced-in Magazine Releases and Ambidextrous Trigger Finger Indexing Points • Shortened and Flared Magwell Fully Compatible with Most Magazines and Drums • Threaded Steel Retention Pins and Set Screws, Zero Roll Pins Used in Assembly • Optional Receiver Tensioning Screw Included • Compatible with Most Furniture, Fire Control Groups, Bolt Carrier Groups, and Parts Kits • Captured Buffer and Rear Takedown Pin Detent and Spring • Tight Tolerance Fit of Upper and Lower Receiver, Takedown and Pivot Pins, and Barrel Extension • Upper Receiver Cut for M4 Feed Ramps • Upper Receiver Flattop Features an Additional Picatinny Slot • Multi-caliber Marked |
| AR15 BILLET UPPER RECEIVER / FUR001 AR15 BILLET LOWER RECEIVER / FLR002 AR15 BILLET RECEIVER SET / FCR01 | AR15 BILLET UPPER RECEIVER / FUR001 AR15 AMBI BILLET LOWER RECEIVER / FLR002 AR15 AMBI BILLET RECEIVER SET / FCR02 |



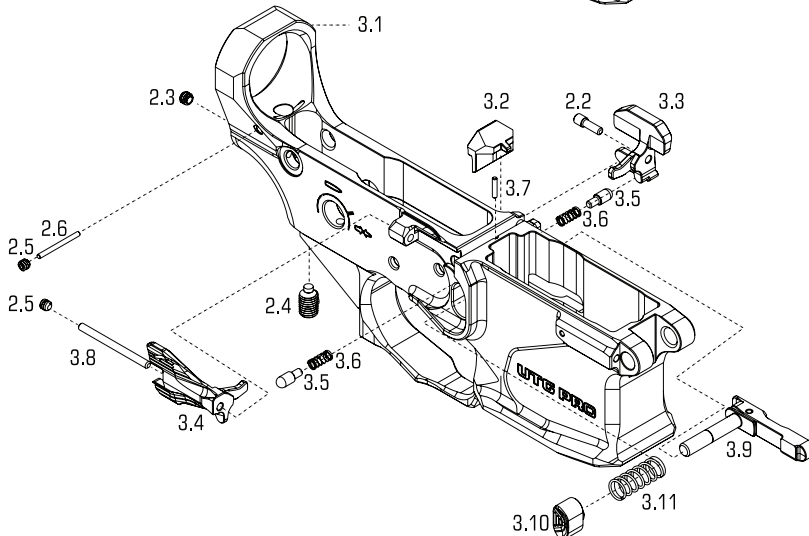
AR15 BILLET UPPER RECEIVER

| # | DESCRIPTION | QTY. |
|-----|-----------------------------------|------|
| 1.1 | AR15 BILLET UPPER RECEIVER | 1 |
| 1.2 | THREADED ROLL PIN, FORWARD ASSIST | 1 |



AR15 BILLET LOWER RECEIVER

| # | DESCRIPTION | QTY. |
|-----|--|------|
| 2.1 | AR15 STANDARD BILLET LOWER RECEIVER | 1 |
| 2.2 | THREADED ROLL PIN, BOLT CATCH | 1 |
| 2.3 | TAKEDOWN PIN DETENT SPRING SET SCREW | 1 |
| 2.4 | 1/4-28 x 7/16" POM-TIP & POM-PELLET THREAD LOCKING SET SCREW | 1 |
| 2.5 | SUPER-CORROSION-RESISTANT CUP-POINT SET SCREW | 1 |
| 2.6 | 416 STAINLESS STEEL DOWEL PIN | 1 |



AR15 AMBI BILLET LOWER RECEIVER

| # | DESCRIPTION | QTY. |
|------|--|------|
| 2.2 | THREADED ROLL PIN, BOLT CATCH | 1 |
| 2.3 | TAKEDOWN PIN DETENT SPRING SET SCREW | 1 |
| 2.4 | 1/4-28 x 7/16" POM-TIP & POM-PELLET THREAD LOCKING SET SCREW | 1 |
| 2.5 | SUPER-CORROSION-RESISTANT CUP-POINT SET SCREW | 2 |
| 2.6 | 416 STAINLESS STEEL DOWEL PIN | 1 |
| 3.1 | AR15 AMBI BILLET LOWER RECEIVER | 1 |
| 3.2 | BOLT CATCH | 1 |
| 3.3 | LEFT PADDLE, BOLT CATCH | 1 |
| 3.4 | RIGHT PADDLE, BOLT CATCH | 1 |
| 3.5 | PLUNGER, BOLT CATCH | 2 |
| 3.6 | COMPRESSION SPRING, 0.140" x 0.350" | 2 |
| 3.7 | DOWEL PIN, 0.0625" x 0.250" | 1 |
| 3.8 | DOWEL PIN, 2.5mm x 32mm | 1 |
| 3.9 | MAGAZINE CATCH | 1 |
| 3.10 | BUTTON RELEASE | 1 |
| 3.11 | COMPRESSION SPRING, 0.298" X 1.125" | 1 |