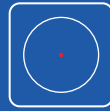




**8 Brightness  
Intensity  
Settings**



**30,000+ Hours  
Battery Life**



**3 MOA  
Red Dot**



**IPX7  
Waterproof**

#### **QUICK TO ACQUIRE AND SHOOTER CONFIGURABLE**

- » Low Profile Quick Release (QR) Mount with Tool-free Tension Adjustment
- » Configured for a Lower 1/3 Co-witness and Mini ACOG® Footprint Compatible
- » Snag-free Flush Turrets with Crisp 1 MOA per Click Adjustment at 100 Yards
- » Multi-coated Lens with Wide 18 mm Field of View

#### **RELIABLE PERFORMANCE**

- » IPX7 Waterproof Rated
- » Operation Range from -40°F to 158°F
- » Recoil Rated Up to .450 Bushmaster
- » Squared Recoil Stops for A Secure and Repeatable Zero
- » Locking Quick Release Lever Prevents Inadvertent Release

#### **DURABLE CONSTRUCTION**

- » Precision Machined Matte Black Anodized 6061-T6 Aluminum Construction
- » Reinforced Main Body and Recessed Windage and Elevation Turrets
- » Impact Resistant Tempered Glass Lens

**HEADQUARTERED IN MICHIGAN, USA  
[WWW.LEAPERS.COM](http://WWW.LEAPERS.COM)**

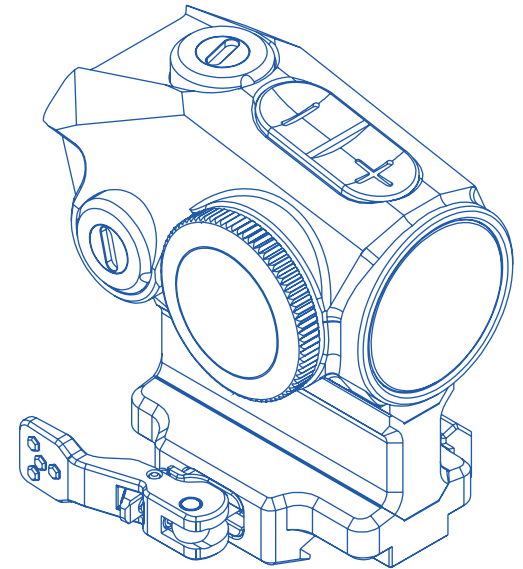
**PROVIDING OPTICS & SHOOTING SPORTS ACCESSORIES SINCE 1992**

ACCURACY SYNCHRONIZED  
**ACCU-SYNC®**

## **2018R DOT SIGHT 3 MOA RED DOT**

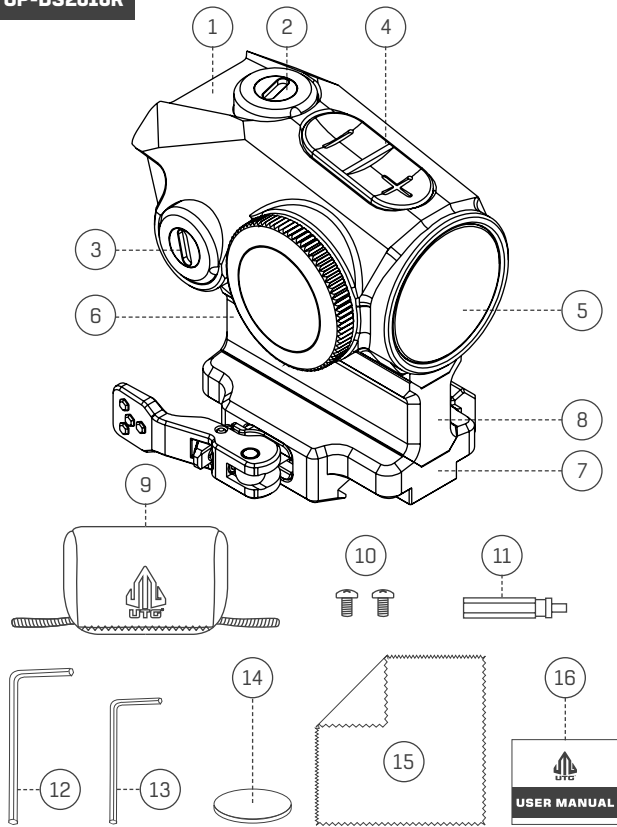
**OP-DS2018R**

**UTG®**



**LEAPERS®**

QP-DS2018R



- 01 Dot Sight Main Body
- 02 Elevation Turret
- 03 Windage Turret
- 04 Illumination Toggle
- 05 Tempered Glass Lens
- 06 Battery Compartment
- 07 QR (Quick Release) Low Profile Picatinny Mount
- 08 1/3 Co-Witness Riser
- 09 Dot Sight Cover
- 10 2x Low Profile Mount Installation Screws (M5x0.8)
- 11 Flat Head W/E Adjustment Tool
- 12 3mm Hex Wrench
- 13 T25 Torx Wrench
- 14 CR2032 Battery
- 15 Cleaning Cloth
- 16 Dot Sight Manual



**Note:** Product depicted is for illustration purposes and may not represent your actual product and its featured components.



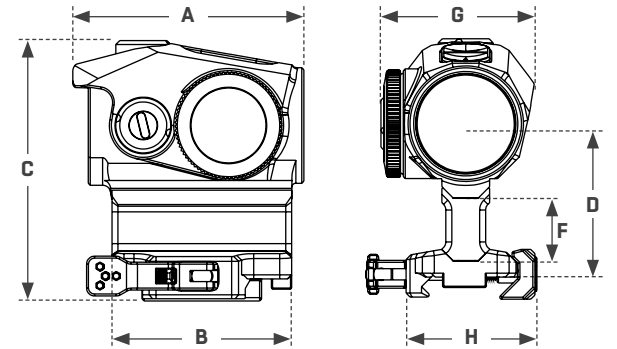
## ACCU-SYNC 2018R DOT SIGHT 3 MOA RED DOT

### STRUCTURAL SPECIFICATIONS

<b>Magnification</b>	1X
<b>Objective Lens Diameter</b>	18 mm
<b>Parallax</b>	Free
<b>Eye Relief</b>	Infinity
<b>Reticle Type</b>	Single Dot
<b>Dot Size</b>	3 MOA
<b>Dot Color</b>	Red
<b>Brightness Settings</b>	8
<b>Auto Shutoff</b>	2 Hrs
<b>Illumination Switch Type</b>	+/- Digital
<b>Battery Type</b>	CR2032
<b>Battery Life</b>	30,000 Hrs
<b>Click Value Per Click</b>	1 MOA
<b>Elevation Travel</b>	140 MOA
<b>Windage Travel</b>	130 MOA
<b>Main Body Material</b>	6061-T6
<b>Footprint</b>	Mini ACOG
<b>Mounting Method</b>	Quick Release Picatinny
<b>Temperature Operating Range</b>	-40°C - +70°C / -40°F to +160°F
<b>Waterproof</b>	IPX7
<b>Fog Proof</b>	Yes
<b>Recoil Rated</b>	Up to .450BM
<b>Weight</b>	152g
<b>Mount Screw Spec</b>	M5x0.8, T20
<b>Torque Specification</b>	25 inch-lb

### OPTICAL SPECIFICATIONS

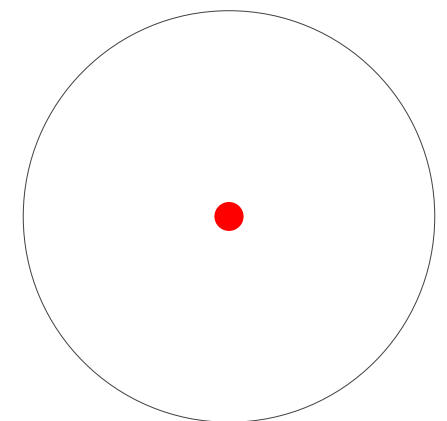
<b>Magnification</b>	1X
<b>Angular FOV</b>	1.47°
<b>Linear FOV @ 100 yds</b>	7.77'
<b>Linear FOV @ 100 m</b>	2.37 m
<b>Parallax</b>	Free
<b>Eye Relief</b>	Infinity
<b>Lens Coating</b>	AR Coating
<b>Clear Aperture Lens Diameter</b>	16.33 mm
<b>Effective Focal Length</b>	38 mm



### DIMENSIONS

<b>Overall Length (A)</b>	2.24"	56.90 mm
<b>Mounting Deck Length (B)</b>	1.78"	45.21 mm
<b>Overall Height (C)</b>	2.66"	67.56 mm
<b>1/3 Co-witness Center Height (D)</b>	2.51"	63.75 mm
<b>Low Mount Center Height (E)</b>	1.95"	49.53 mm
<b>Riser Block Height (F)</b>	0.72"	18.29 mm
<b>Overall Width (G)</b>	1.50"	38.10 mm
<b>Mounting Deck Width (H)</b>	1.27"	32.26 mm
<b>Weight</b>	5.36 oz	152 g

### RED 3.0 MOA SINGLE DOT RETICLE



### RETICLE BREAKDOWN

<b>Distance (Yards)</b>	25	50	75	100	200	300
<b>Dot Size by Linear Distance (Inch)</b>	0.79"	1.57"	2.36"	3.14"	6.28"	9.42"